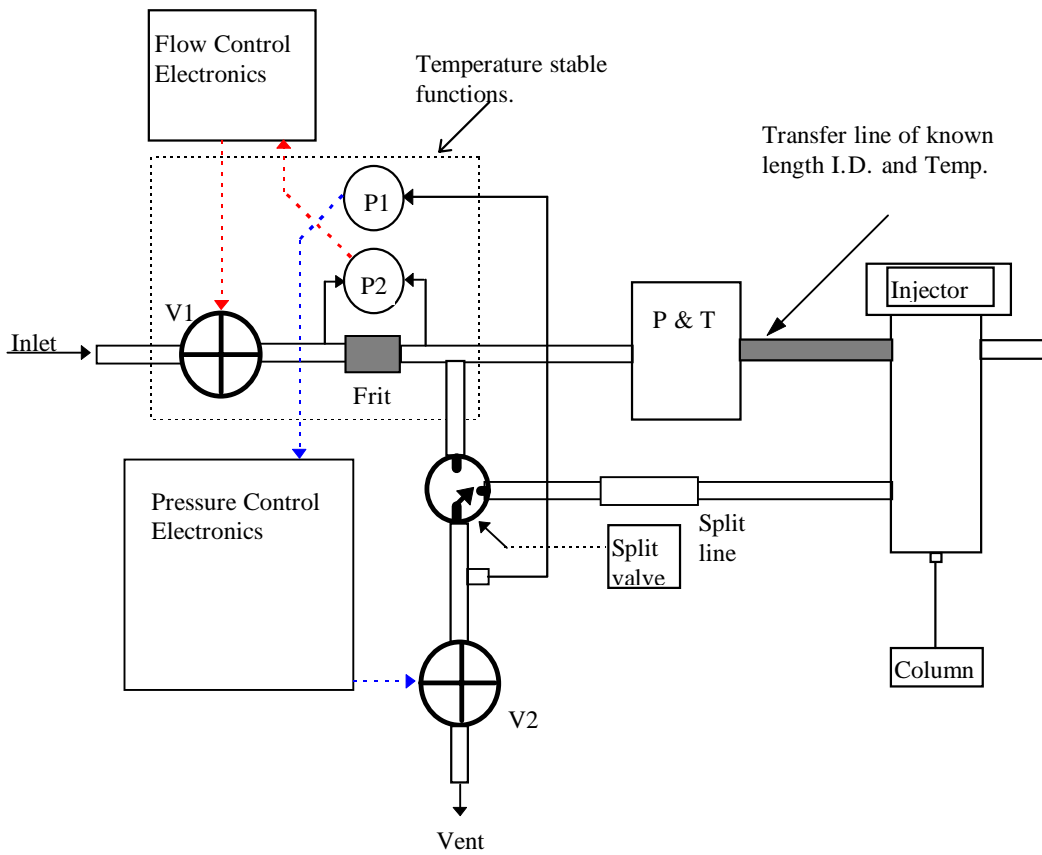


EFC with Purge & Trap and a split/splitless injector.



Notes: (Use Type 5 EFC)

1. When using a device which has a long transfer line such as a purge & Trap it is necessary to use the "Type 5" efc controller. The Type 5 differs from the Type 1 by sensing the injector pressure close to the vent and just upstream of V2. This is necessary for the controller to be "loop stable" with systems that have transfer lines or other forms of flow restricting pneumatics.

2. The injector used must be the "manual" version of the 1079 so that it does not have the pressure sense line added.